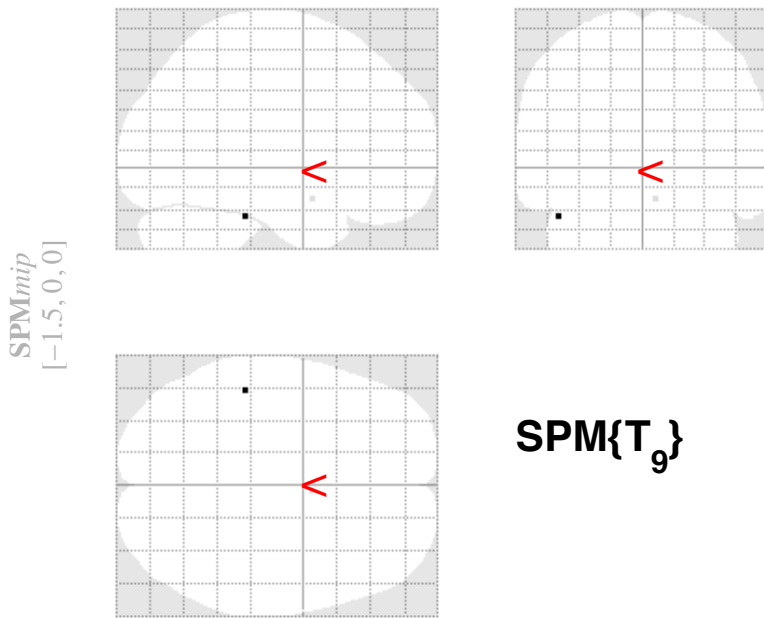
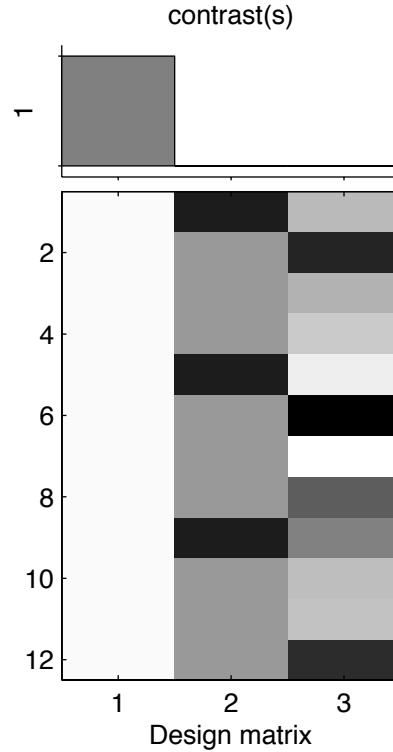


BOLD SYN increases, 60 mg



SPMresults: bold_SYN_effect_60_only
 Height threshold T = 4.296806 {p<0.001 (unc.)}
 Extent threshold k = 0 voxels



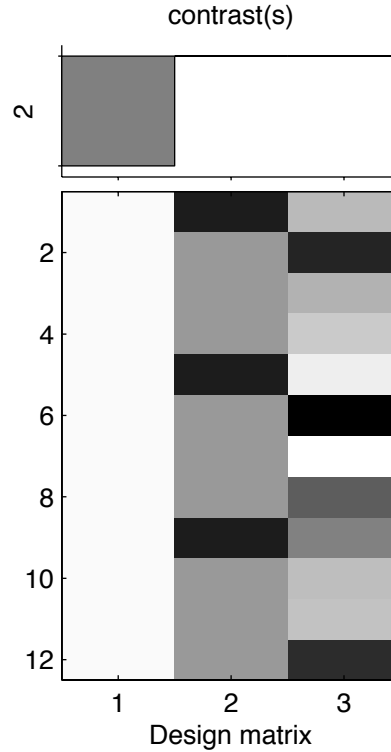
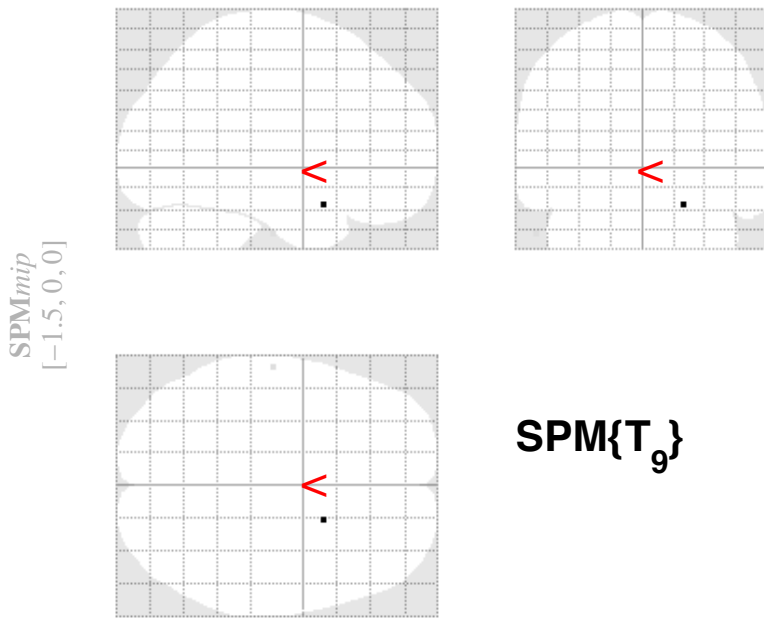
Statistics: p-values adjusted for search volume

set-level		cluster-level			peak-level					mm mm mm			
p	c	$p_{FWE-corr}$	$q_{FDR-corr}$	k_E	p_{uncorr}	$p_{FWE-corr}$	$q_{FDR-corr}$	T	(Z_{\equiv})	p_{uncorr}			
1.000	2	1.000	0.397	1	0.397	1.000	0.595	5.10	3.41	0.000	-46	-33	-27
		1.000	0.397	1	0.397	1.000	0.595	4.96	3.36	0.000	4	3	-18

table shows 3 local maxima more than 8.0mm apart

Height threshold: T = 4.30, p = 0.001 (1.000) Degrees of freedom = [1.0, 9.0]
 Extent threshold: k = 0 voxels FWHM = 10.0 10.2 8.2 mm mm mm; 3.3 3.4 2.7 {voxels}
 Expected voxels per cluster, <k> = 1.498 Volume: 1692981 = 62703 voxels = 1822.3 resels
 Expected number of clusters, <c> = 42.98 Voxel size: 3.0 3.0 3.0 mm mm mm; (resel = 31.15 voxels)
 FWEp: 11.012, FDRp: Inf, FWEc: Inf, FDRc: Inf

BOLD SYN decreases 60 mg only



SPMresults: bold_SYN_effect_60_only
 Height threshold $T = 4.296806$ { $p < 0.001$ (unc.)}
 Extent threshold $k = 0$ voxels

Statistics: p -values adjusted for search volume

set-level		cluster-level			peak-level					mm mm mm			
p	c	$p_{\text{FWE-corr}}$	$q_{\text{FDR-corr}}$	k_E	p_{uncorr}	$p_{\text{FWE-corr}}$	$q_{\text{FDR-corr}}$	T	(Z_{max})	p_{uncorr}			
1.000	2	1.000	0.397	1	0.397	1.000	0.549	5.97	3.71	0.000	20	9	-21
		1.000	0.397	1	0.397	1.000	0.820	4.55	3.20	0.001	-58	-18	-36

table shows 3 local maxima more than 8.0mm apart

Height threshold: $T = 4.30$, $p = 0.001$ (1.000) Degrees of freedom = [1.0, 9.0]
 Extent threshold: $k = 0$ voxels FWHM = 10.0 10.2 8.2 mm mm mm; 3.3 3.4 2.7 {voxels}
 Expected voxels per cluster, $\langle k \rangle = 1.498$ Volume: 1692981 = 62703 voxels = 1822.3 resels
 Expected number of clusters, $\langle c \rangle = 42.98$ Voxel size: 3.0 3.0 3.0 mm mm mm; (resel = 31.15 voxels)
 FWEp: 11.012, FDRp: Inf, FWEc: Inf, FDRc: Inf